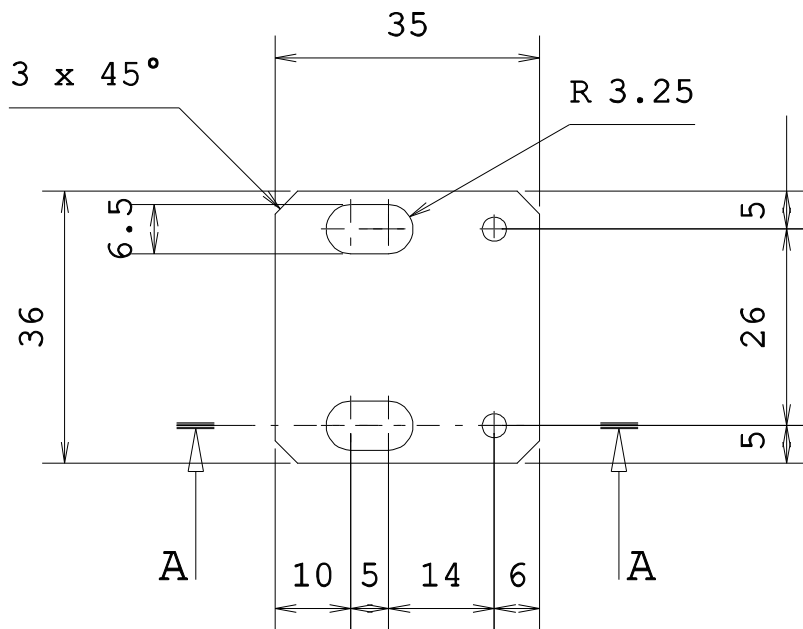
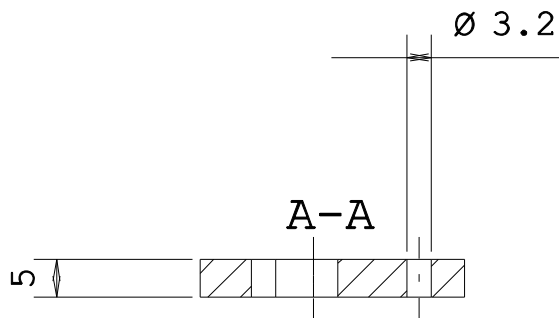


2

1

A

A



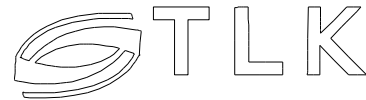
B

B

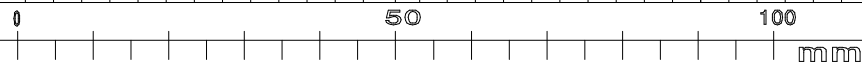
C

C

Denominazione		PIASTRINA PER MICRO	
Mat.	FE 360 C	Scala	1:1
Peso	37 gr.	Dis. N°	N2F2A363550



1	2	3	4	5	6	7	8	9	10	11	12	13	14	15	16	17	18	19	20	21	22	23	24	25	26	27	28	29	30	31	32	33	34	35	36	37	38	39	40	41	42	43	44	45	46	47	48	49	50	51
---	---	---	---	---	---	---	---	---	----	----	----	----	----	----	----	----	----	----	----	----	----	----	----	----	----	----	----	----	----	----	----	----	----	----	----	----	----	----	----	----	----	----	----	----	----	----	----	----	----	----



A4